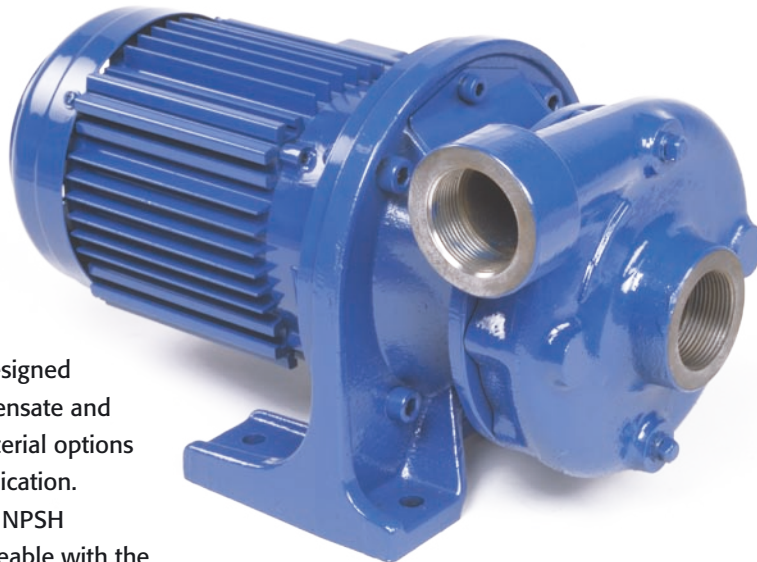


## SMALL INDUSTRIAL PUMPS



Amarinth S Series pumps are designed for the General Industrial, Condensate and Effluent markets. A range of material options are available to match your application. The S Series pumps feature low NPSH designs and are fully interchangeable with the Girdlestone SSM and SSD ranges.

### General description

A range of single stage centrifugal end suction pumps with tangential discharge manufactured in a variety of alloys. All pumps and individual components are fully interchangeable with the equivalent Girdlestone SSD / SSM series units.

### Construction

Back pullout design with machined abutments

### Design methodology

Advanced computer techniques including 3D modelling & FEA

### Design standards

ATEX EC-Directive 94/9/EC

### Design pressure rating

10 bar g @ 20°C

### Suction pressure rating

7.5 bar g (long coupled)  
3.5 bar g (close coupled)

### Temperature rating

-5°C to 120°C

### Performance envelope

#### Flowrate

Up to 20m<sup>3</sup>/h

#### Differential head

Up to 55m

#### Speed

Up to 3600 rpm

### Configurations

Long coupled pump  
Close coupled pump  
Bareshaft pump

### Frame sizes

025x025x173 to 040x040x127

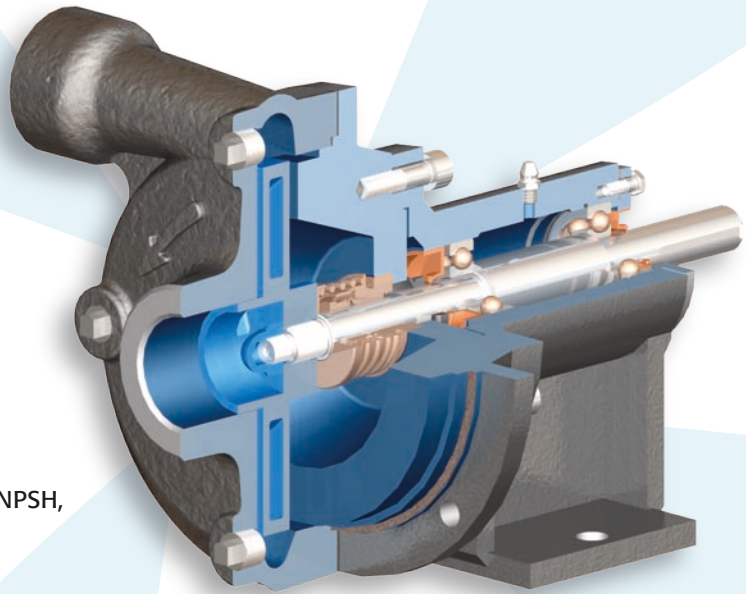
### Design life

15 years (2 years uninterrupted operation)

# SMALL INDUSTRIAL PUMPS

## key features

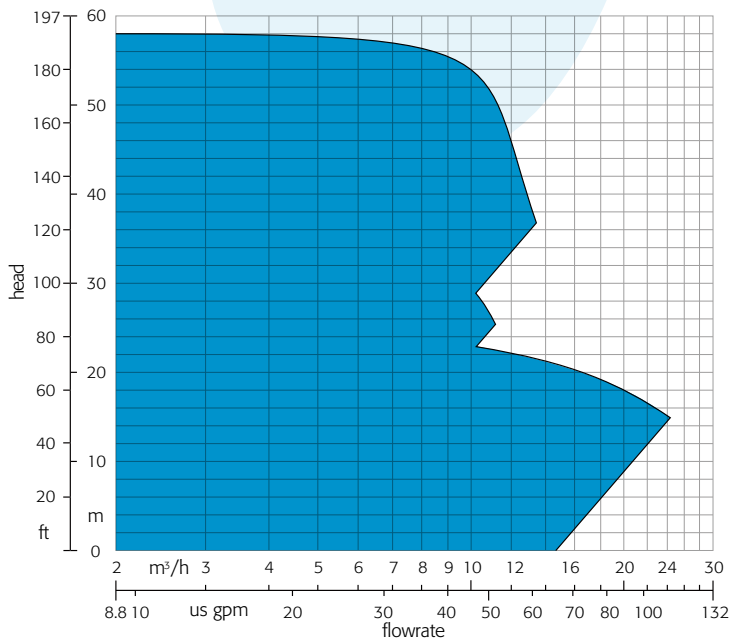
- Cast iron, Stainless steel & Gunmetal material combinations
- All internal components interchange directly with Girdlestone SSM & SSD series pumps
- Long & close coupled models
- Major spare parts available off the shelf
- -5°C to 120°C temperature applications
- Single stage end suction centrifugal pumps with tangential discharge
- 2 years uninterrupted operation
- 7.5 bar pressure rating
- Back pullout design with machined abutments
- Semi open or shrouded impeller
- Tested to BSEN25199 / ISO5199 – Head, Flow, NPSH, Noise & Vibration



## materials

Materials	Casing	Impeller
Cast Iron / Cast Iron	BS EN 1561 Gr EN-GJL- 250	BS EN 1561 Gr EN-GJL- 250
Cast Iron / Gunmetal	BS EN 1561 Gr EN-GJL- 250	BS EN 1982 CC492K - GS
Cast Iron / SS 316	BS EN 1561 Gr EN-GJL- 250	ASTM A744 CF-8M
SS 316 / SS 316	BS 3100 316 C12	ASTM A744 CF-8M
Gunmetal / Gunmetal	BS 1400 LG2	BS EN 1982 CC492K - GS

## S Series hydraulic coverage



## typical applications

- Brewery processing
- Caustic transfer
- Condensate recovery
- Evaporator operation
- Low NPSH capabilities
- Seawater duties
- Water



**Amarinth**

Bentwaters Parks, Rendlesham, Woodbridge,  
Suffolk IP12 2TW. United Kingdom

tel: +44 (0)1394 462 120 fax: +44 (0)1394 462 130

e-mail: enquiries@amarinth.com web: www.amarinth.com



026  
Certificate number: 3720/03