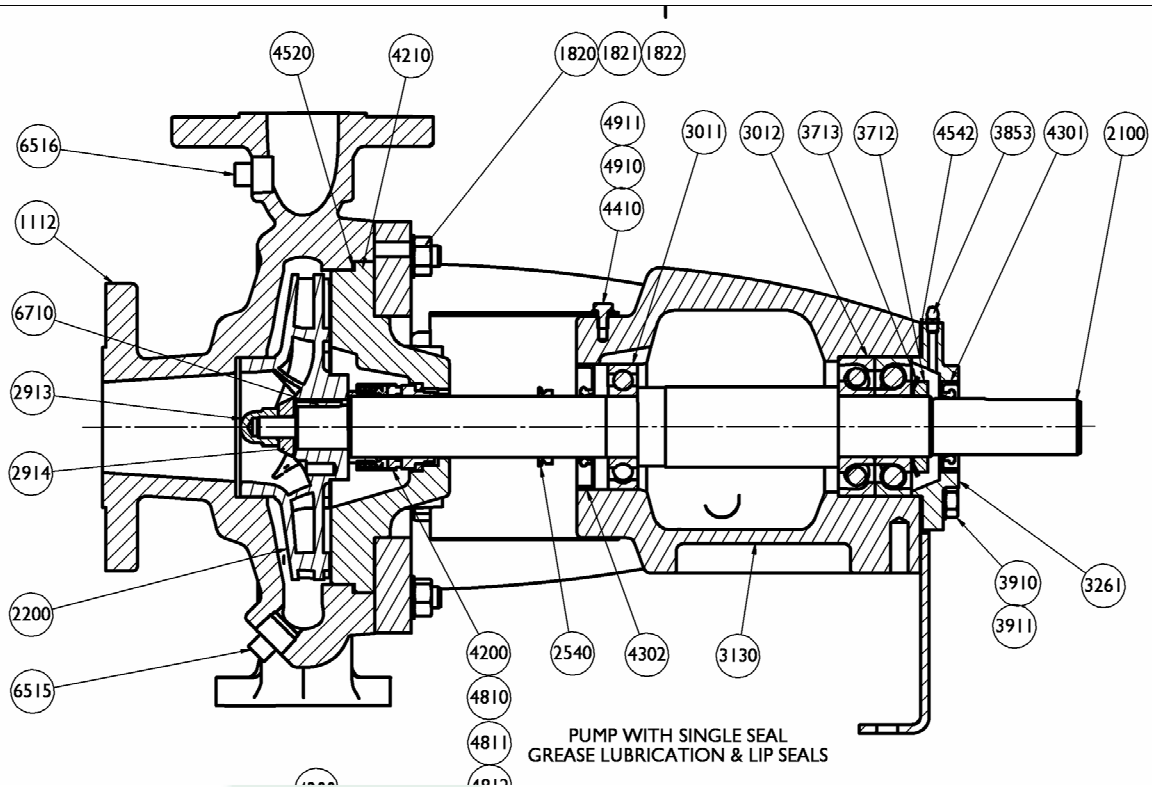


# Technical specification – C Series

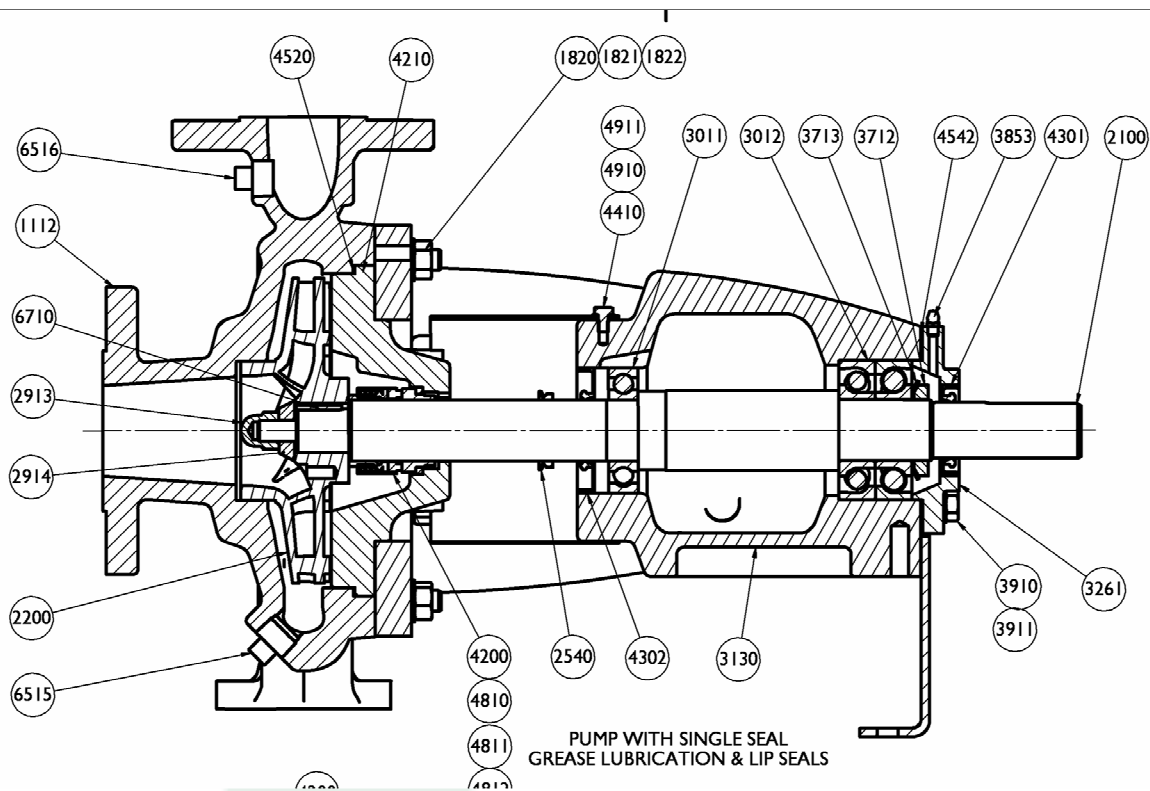


Item number	Description	Materials of Construction				
		SS 316	Cast Iron	Cast Iron	SG Iron	Carbon Steel
	Casing	SS 316	Cast Iron	Cast Iron	SG Iron	Carbon Steel
	Impeller	SS 316	Cast Iron	SS 316	SS 316	SS 316
	Amarinth material code	9502	9500	9517	9516	9508
1112	Casing	Stainless steel	Cast Iron		SG cast iron	Carbon steel
1510	Wear ring	Stainless steel	Cast Iron			Stainless steel
1820	Stud		Stainless steel			
1821	Nut		Stainless steel			
1822	Washer		Stainless steel			
2100	Shaft		Duplex stainless steel			
2200	Impeller	Stainless steel	Cast iron	Stainless steel		
2912	Nut, Dome		Stainless steel			
2914	Hub cap		Stainless steel			
3130	Bearing bracket / lantern		SG cast iron			
3261	Bearing cover		Carbon steel			
4210	Seal housing	Stainless steel	Cast iron			Carbon steel
4410	Spray guard		Stainless steel			
4520	Gasket		Stainless steel with graphite facings *			
4542	Gasket		Cork			
6515	Plug	Stainless steel	Cast iron		Carbon steel	
6516	Plug	Stainless steel	Cast iron		Carbon steel	
6710	Key		Stainless steel			

\* Other gasket materials are available on request to suit your fluid

C Series - Chemical pumps  
(ISO5199)

# Technical specification – C Series (continued)



Item number	Description	Materials of Construction					
		Carbon steel	Duplex SS	Super Duplex SS	Hastelloy B	Hastelloy C	Monel
	Casing Impeller	Carbon steel 12% Cr SS	Duplex SS Duplex SS	Super Duplex SS Super Duplex SS	Hastelloy B Hastelloy B	Hastelloy C Hastelloy C	Monel Monel
	Amarinth material code	9505	9510	9511	9513	9514	9515
1112	Casing	Carbon steel	Duplex SS	Super duplex SS	Hastelloy B	Hastelloy C	Monel
1510	Wear ring	Duplex SS		Super duplex SS	Hastelloy B	Nickel alloy	Monel
1820	Stud	Stainless steel					
1821	Nut	Stainless steel					
1822	Washer	Stainless steel					
2100	Shaft	Duplex stainless steel			Hastelloy B	Nickel Alloy	Monel
2200	Impeller	Cr steel 12%	Duplex SS	Super duplex SS	Hastelloy B	Hastelloy C	Monel
2912	Nut, Dome	Stainless steel	Duplex SS	Super duplex SS	Hastelloy B	Nickel alloy	Monel
2914	Hub cap	Stainless steel	Duplex SS	Super duplex SS	Hastelloy B	Nickel alloy	Monel
3130	Bearing bracket / lantern	SG Cast iron					
3261	Bearing cover	Stainless steel					
4210	Seal housing	Carbon steel	Duplex SS	Super duplex SS	Hastelloy B	Hastelloy C	Monel
4410	Spray guard	Stainless steel					
4520	Gasket	SS + graphite	Expanded PTFE				
4542	Gasket	Cork					
6515	Plug	Carbon steel	Duplex SS	Super duplex SS	Hastelloy B	Hastelloy C	Monel
6516	Plug	Carbon steel	Duplex SS	Super duplex SS	Hastelloy B	Hastelloy C	Monel
6710	Key	Cr steel 12%	Duplex SS	Super duplex SS	Hastelloy B	Hastelloy C	Monel

\* Other gasket materials are available on request to suit your fluid



**Amarinth** technical product specification technical product specification

Amarinth Ltd, Bentwaters Parks, Rendlesham, Woodbringe, Suffolk, IP12 2TW, United Kingdom

tel: +44 (0)1394 462 120 fax: +44 (0)1394 462 130 e-mail: enquiries@amarinth.com web: www.amarinth.com