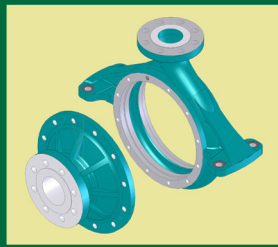




Amarinth

The powerful new force in pumping



PRESS INFORMATION - FOR IMMEDIATE RELEASE – 12th December 2005

Amarinth selected to design OSPAR compliant pumping solution for the Amerada Hess operated Triton FPSO

Amarinth, a UK company specialising in the design, application and manufacture of pumps for the chemical, gas and oil industries has won a significant order to supply 10 bespoke pumping units to be installed on the Amerada Hess Corporation operated Triton Floating, Production, Storage and Offloading (FPSO) vessel located in the North Sea.

The pumps are a critical part of the filtration system being installed by Aberdeen based Wood Group Engineering (North Sea) Limited, a large Engineering, Procurement & Construction firm that provides a range of services to Amerada Hess. This system will filter and treat produced water prior to discharge so that it meets the pending OSPAR regulatory changes due in 2006 that target reductions in the amount of oil released into open water in the North Sea.

Wood Group was evaluating various pumping solutions for the Triton project when they engaged specialist pump supplier Kinder-Janes Engineers Limited. After careful consideration of the technical and commercial requirements, Kinder-Janes submitted an offer for Amarith pumps able to satisfy the challenging criteria.

The project demands high specification pumps that must be tailored to fit the tight space constraints of the Triton vessel and limited NPSH available. With a risk and reward prime contact in place, Wood Group required a tight 26-week delivery schedule on the pumps. Drawing on their previous experience, Amarith were able to commit to designing and delivering a pumping solution to this deadline.

-- MORE --

The final design is a hybrid that is based on Amarith's proven 'C' series heavy duty ISO 5199 chemical pumps, but which incorporates up-rated API 610 bearing brackets. To withstand extended operation on produced water service, pump wetted parts will be manufactured in Super Duplex high chromium stainless steel. These are materials that were pioneered in the highly corrosive offshore environment.

The pumps will be fitted with sophisticated 'upstream pumping' (USP) mechanical seals manufactured by John Crane that utilise seawater to provide a supply of cool, clean buffer fluid to the seal faces to ensure reliable operation on this abrasive media.

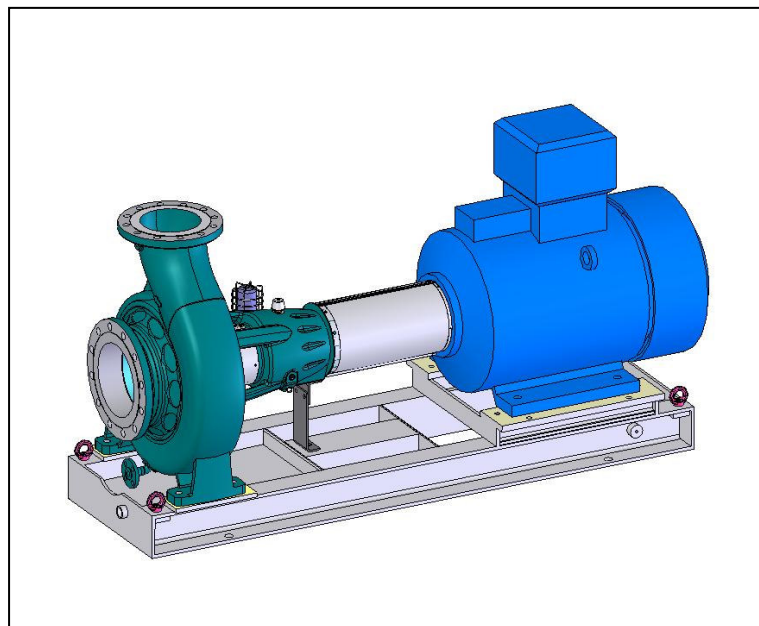
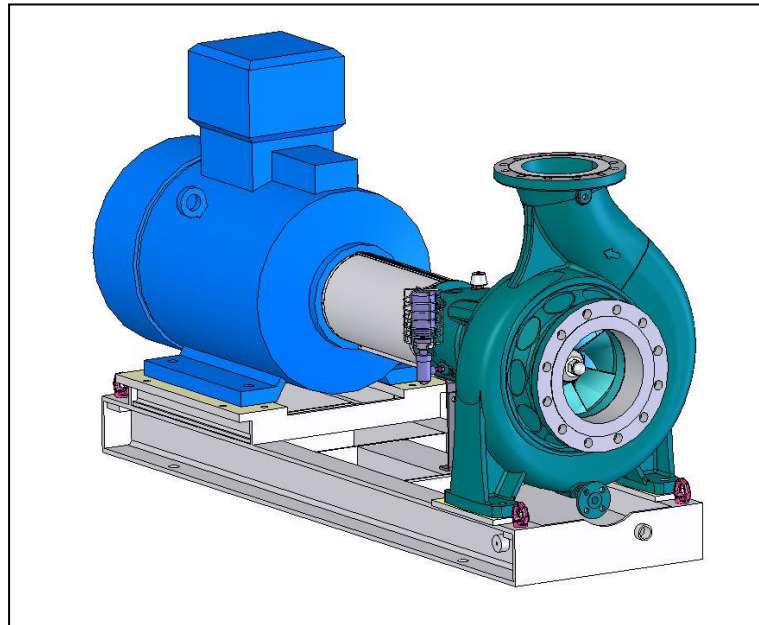
For such a critical application the pumps will undergo comprehensive non-destructive testing including radiography plus witnessed inspection and performance testing. Complete material traceability and documentation will be delivered with the pumps.

Amarinth has built a strong reputation for providing reliable pumping solutions for OSPAR compliance projects for North Sea operators such as Shell and Britannia. They have also received a number of commendations, including one from Pall Corporation who provided the filtration systems for the Shell project.

On securing the contract, Oliver Briginshaw, Managing Director of Amarith, commented: "We are delighted to have won such a prestigious order against very tough competition. I believe our straight forward approach, coupled with listening to exactly what our customer wanted and our ability to absorb their design changes without impacting lead times, were the deciding factors in us winning this significant order."

-- END --

OPTIONAL PANEL or BOX ITEMS



The design work was undertaken using Amarith's suite of computer aided engineering applications. This allowed customer specification changes to be absorbed into the design without adversely impacting lead-times.

NOTES TO EDITORS:

Founded in 2002, Amarith has harnessed the skills, creativity and passion of people who have worked in the pump industry for many years. Amarith delivers world-leading expertise in the design, application and manufacture of pumps and associated equipment to create innovative solutions that help organisations operate more efficiently and effectively. Using state-of-the-art e-commerce technologies, Amarith delivers 24/7 support, allowing customers to place orders and track every stage of manufacture through to delivery, any time, anywhere in the world.

Amarinth designs and manufactures centrifugal pumps to ISO, ANSI & API standards primarily for the industrial, chemical & petrochemical markets. Amarith pumps are directly interchangeable with Girdlestone pumps, eliminating the need for expensive modifications when replacements are required. In addition, Amarith designs total systems that can include receivers and interceptor vessels, condensate recovery units, filtration and separation modules, instrumentation and control, valves and pipe work. The company also undertakes pump repair and maintenance and can optimise existing pumping solutions and hydraulic systems to maximise efficiency and improve reliability.

The company operates globally from its base in Rendlesham Suffolk, United Kingdom and has a customer base of world-leading companies, including Spirax Sarco, British Sugar, BP, Unilever, Diageo, Allied Distillers and Greene King.

For further information, electronic copy or photos contact:

Comment:

Steve Buckley
Sales & Marketing Director
Amarinth Limited
Bentwaters Park
Rendlesham
Woodbridge IP12 2TW
United Kingdom

Tel: +44 (0)1394 462122
Mobile: +44 (0)7971 506 994
Steve.Buckley@Amarinth.com

Media Relations:

Phil Harland
B6 Solutions Limited
29 Swan Drive
The Wharf
Aldermaston
Reading RG7 4UZ
United Kingdom

Tel: +44 (0)118 971 3790
Mobile: +44 (0)7880 748380
Phil.Harland@B6solutions.com

Amarinth can also be reached on its website: www.amarith.com

Go to our "Documents" page at www.amarith.com to see all our press releases and find out more about us.