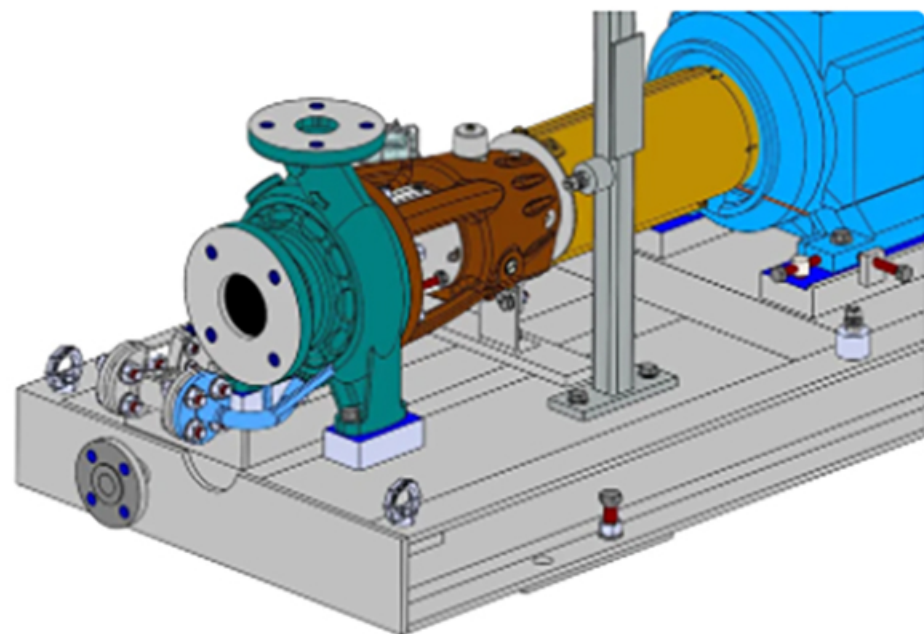


Amarinth pumps cast from titanium to withstand corrosion

Amarinth has supplied four titanium pumps to VWS Westgarth for two Petrobras FPSOs operating offshore Brazil.

Mar 1st, 2021



3D CAD model of an Amarithh titanium pump being designed for VWS Westgarth to be installed aboard an FPSO vessel.

(Courtesy Amarithh)

Offshore staff

WOODBIDGE, UK – Amarithh has supplied four titanium pumps to VWS Westgarth for two Petrobras FPSOs operating offshore Brazil.

VWS Westgarth, which operates the sulfate reduction membrane systems, specified that all wetted parts of the chemically-enhanced backwash pumps should be made from titanium in order to withstand the corrosive fluid.

This includes the casings, impellers, and shafts.

According to Amarithh, titanium must be cast under a full vacuum using copper crucibles to prevent molten titanium from attacking the crucible walls. The company worked with a foundry in the UK with the capability to cast large titanium components in optimizing the design of the castings, in order to maintain the correct flow of the molten titanium over changes of dimensions and directions.

Amarinth completed delivery of the pumps within the 28-week deadline.

03/01/2021

VOICE YOUR OPINION!

This site requires you to login or register to post a comment.

No comments have been added yet. Want to start the conversation?

Offshore
GET TIMELY NEWS ON TRENDS AND TECHNOLOGIES THAT MATTER MOST!
SIGN UP NOW

OIL & GAS JOURNAL
SUBSCRIBE AND SAVE \$30 TODAY!
USE PRIORITY CODE **SAVE30**
SAVE30 NOW!

LATEST IN RIGS/VESSELS

Rigs/Vessels
North Star vessels to service Dogger Bank wind farm
Mar 17th, 2021

Rigs/Vessels
Palfinger to provide cranes for Sangomar floater
Mar 17th, 2021

Rigs/Vessels
Liza Phase 2 FPSO topsides in place
Mar 16th, 2021

Renewable Energy
Crowley, Esvagt to develop SOV for US wind market
Mar 16th, 2021

Rigs/Vessels
Edda Wind expanding CSOV fleet
Mar 15th, 2021